



PlayStation

TM

NTSC U/C

PlayStation™

# RIDGE RACER REVOLUTION™



KIDS TO ADULTS



CONTENT RATED BY  
ESRB

SLUS-00214

**namco**®



## **WARNING: READ BEFORE USING YOUR PlayStation™ GAME CONSOLE.**

A very small percentage of individuals may experience epileptic seizures when exposed to certain light patterns or flashing lights. Exposure to certain patterns or backgrounds on a television screen or while playing video games, including games played on the PlayStation game console, may induce an epileptic seizure in these individuals. Certain conditions may induce previously undetected epileptic symptoms even in persons who have no history of prior seizures or epilepsy. If you, or anyone in your family, has an epileptic condition, consult your physician prior to playing. If you experience any of the following symptoms while playing a video game – dizziness, altered vision, eye or muscle twitches, loss of awareness, disorientation, any involuntary movement, or convulsions – IMMEDIATELY discontinue use and consult your physician before resuming play.

## **WARNING TO OWNERS OF PROJECTION TELEVISIONS:**

Do not connect your PlayStation game console to a projection TV without first consulting the user manual for your projection TV, unless it is of the LCD type. Otherwise, it may permanently damage your TV screen.

## **HANDLING YOUR PlayStation™ DISC:**

- This compact disc is intended for use only with the PlayStation™ game console.
- Do not bend it, crush it or submerge it in liquids
- Do not leave it in direct sunlight or near a radiator or other source of heat.
- Be sure to take an occasional rest break during extended play.
- Keep this compact disc clean. Always hold the disc by the edges and keep it in its protective case when not in use. Clean the disc with a lint-free, soft, dry cloth, wiping in straight lines from center to outer edge. Never use solvents or abrasive cleaners.



# TABLE OF CONTENTS

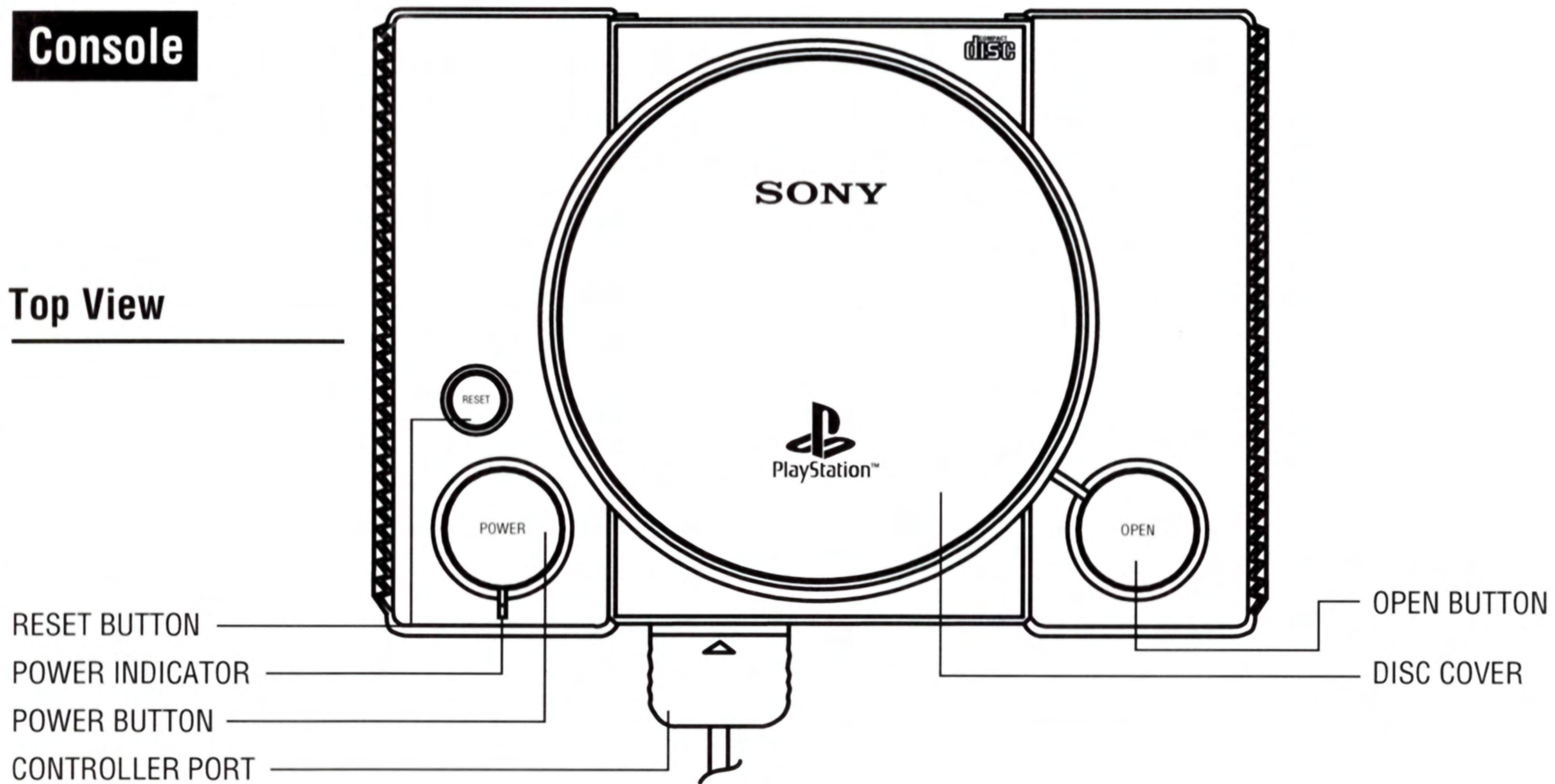
Introduction	4
Controls	4
Explanation of the Game Screen	6
Basic Rules	8
Getting Started / 1P Game	8
Getting Started / 2P Link Game	13
Options	15



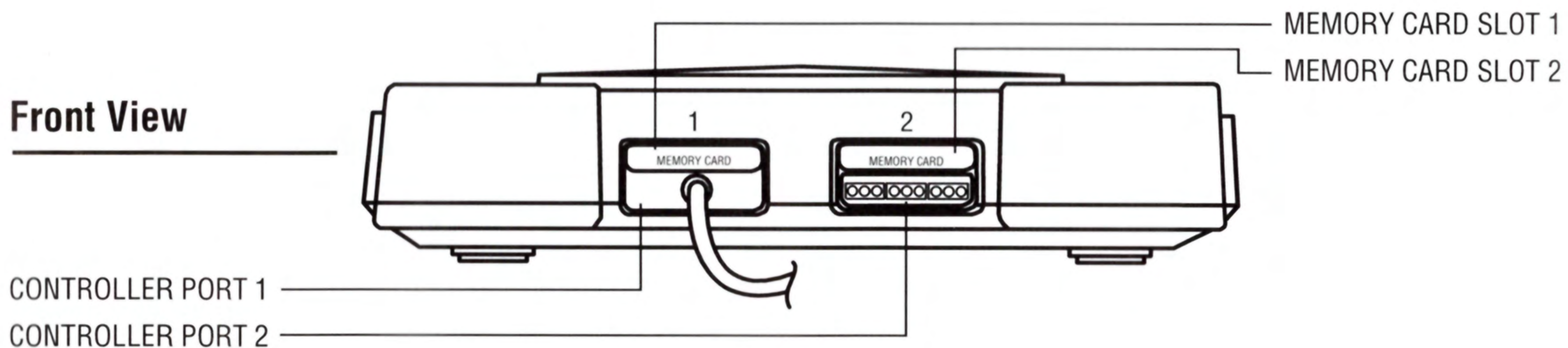
Set up your PlayStation™ game console according to the instructions in its Instruction Manual. Make sure the power is off before inserting or removing a compact disc. Insert the Ridge Racer Revolution disc and close the CD door. Insert game controllers and turn on the PlayStation™ game console. Follow on-screen instructions to start a game.

## Console

### Top View



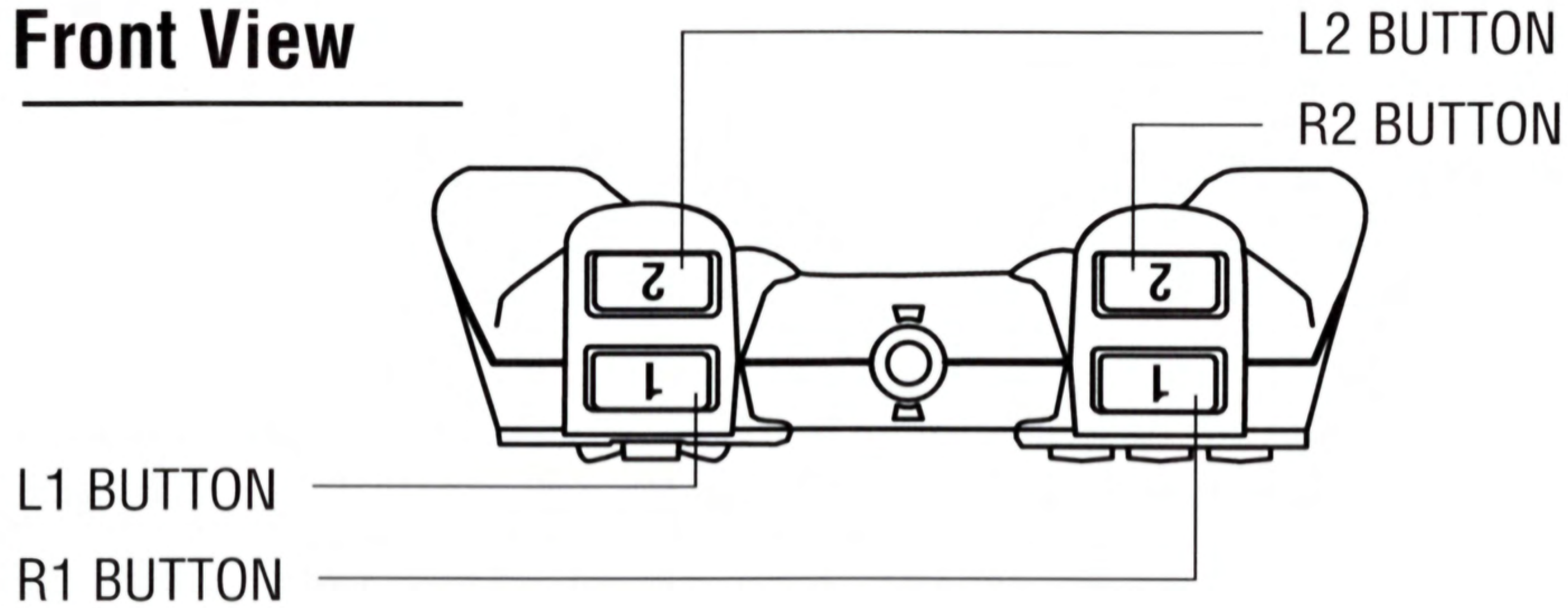
### Front View



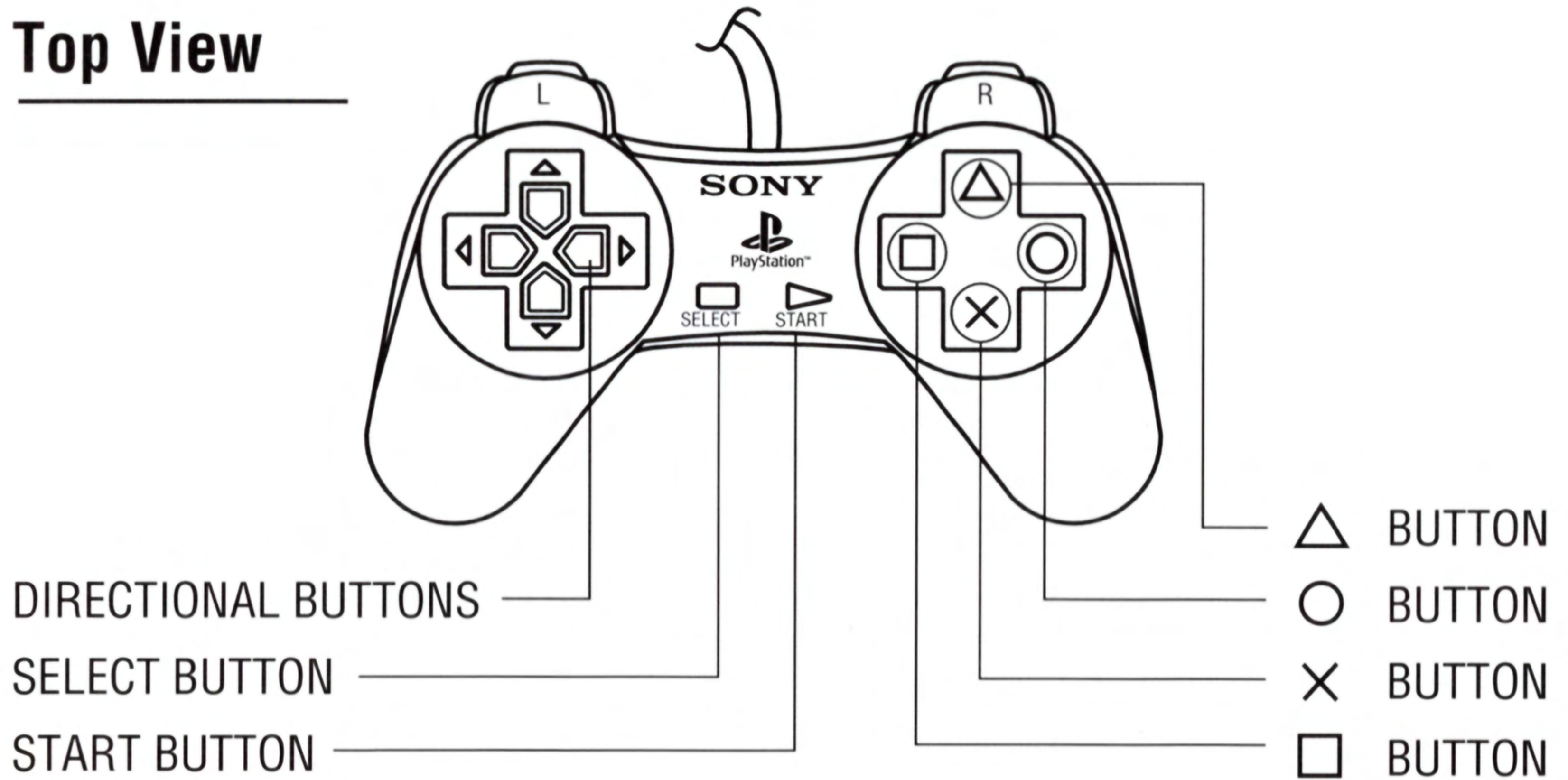


# Controller

## Front View



## Top View





## INTRODUCTION

Choose your speed machine for one of the most challenging winding mountain race courses ever constructed. Twelve cars to choose from, each with its own unique handling characteristics. Three treacherous winding mountain race courses that take you from the sunny beaches to the heart of the city. Five race courses to choose from in the two-player link mode, with four selectable engine classes to modify your machine as you wish.

Three selectable game modes: race against the field, one on one, or practice by yourself. Can you conquer all game modes and all race courses to become the Ridge Racer Revolution Champion?

## CONTROLS

### **Using The Standard Controller (Default Setting)**

**Left and Right Direction Keys** -- Use to turn the steering wheel left and right while racing. Used for cursor movement when making selections.

**Start Button** -- Use to confirm all menu selections. During the game, press this button to pause, unpause, restart, or exit the race.

**R1 and R2 Buttons** -- Use to shift up while racing, using the manual transmission.

**L1 and L2 Buttons** -- Use to shift down while racing, using the manual transmission.

**▲ Button** -- Use to change views or to cancel when making selections.

**● Button** -- Use to select menu options.

**X Button** -- Use to accelerate and to select menu options.

**■ Button** -- Use to brake and cancel selections.



## Using The neGcon Controller (Default Setting)

**Up Direction Key** -- Use to shift down while racing, using the manual transmission.

**Down Direction Key** -- Use to shift up while racing, using the manual transmission.

**Twist the controller to the left and right** - Steers the car left or right.

**Start Button** -- Use to confirm all menu selections. During the game, press this button to pause, unpause, restart, or exit the race.

**B Button** -- Use to change views and to cancel when making selections.

**A Button** -- Use to select menu options.

**I Button** -- Use to accelerate and select menu options.

**II Button** -- Use to brake and cancel selections.



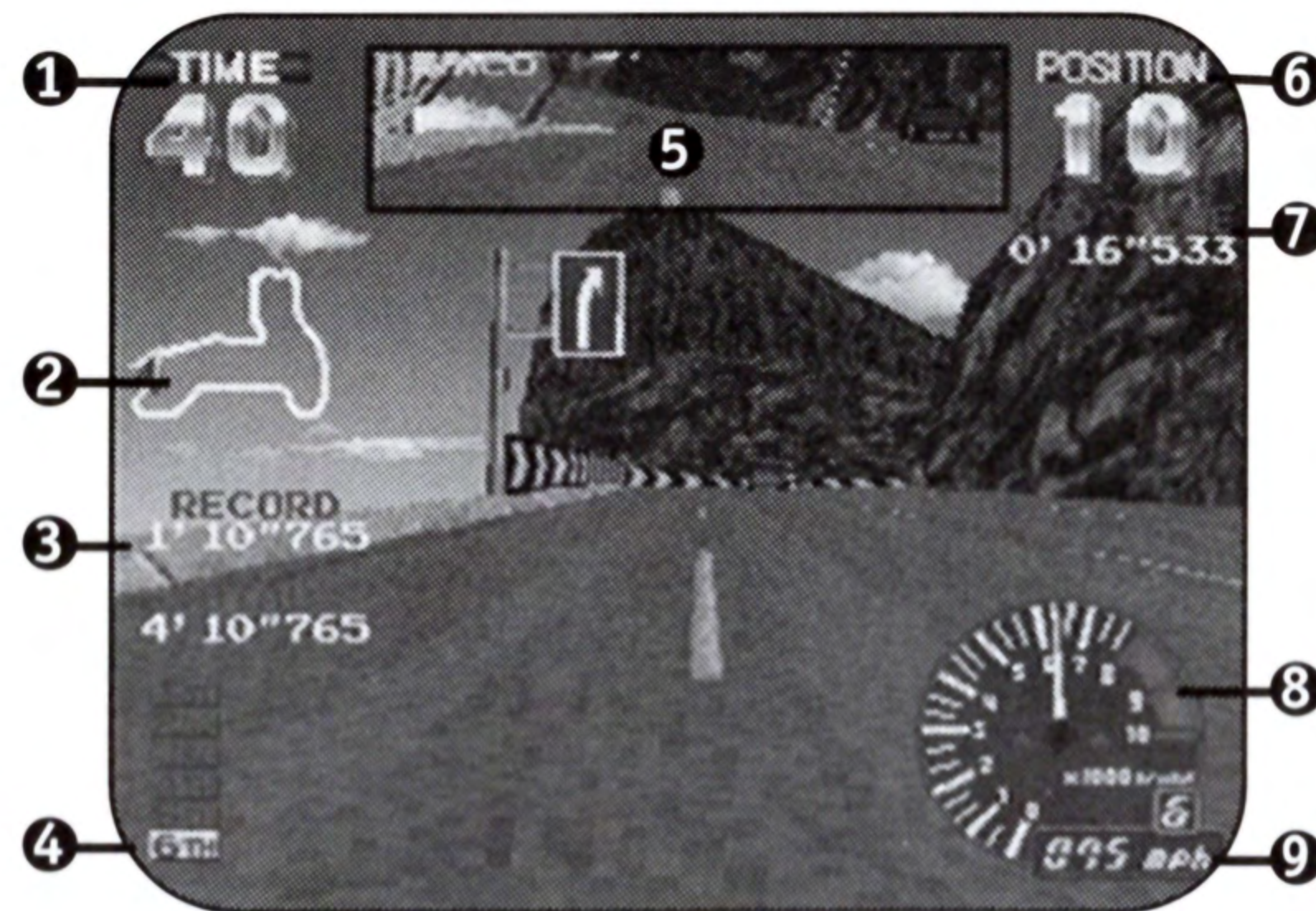
You can steer the car to the left or right by gently twisting the neGcon. You must practice using the neGcon to get the fastest lap times.

You have two kinds of views to choose from while racing: “Driver’s View” and “Behind the Car View.” You can change views by pressing the  $\triangle$  button. (The B button when the neGcon is used.)

neGcon Caution: Occasionally when you first start to play a game with your neGcon, you may find that the twist control function is either oversensitive or biased in one direction, e.g. in Ridge Racer Revolution, the car may veer to one side even when you’re not touching the controller. Don’t worry, this is not a fault with the game or the neGcon and can easily be remedied by exiting the game and calibrating your neGcon following the instructions on the key configuration screen.

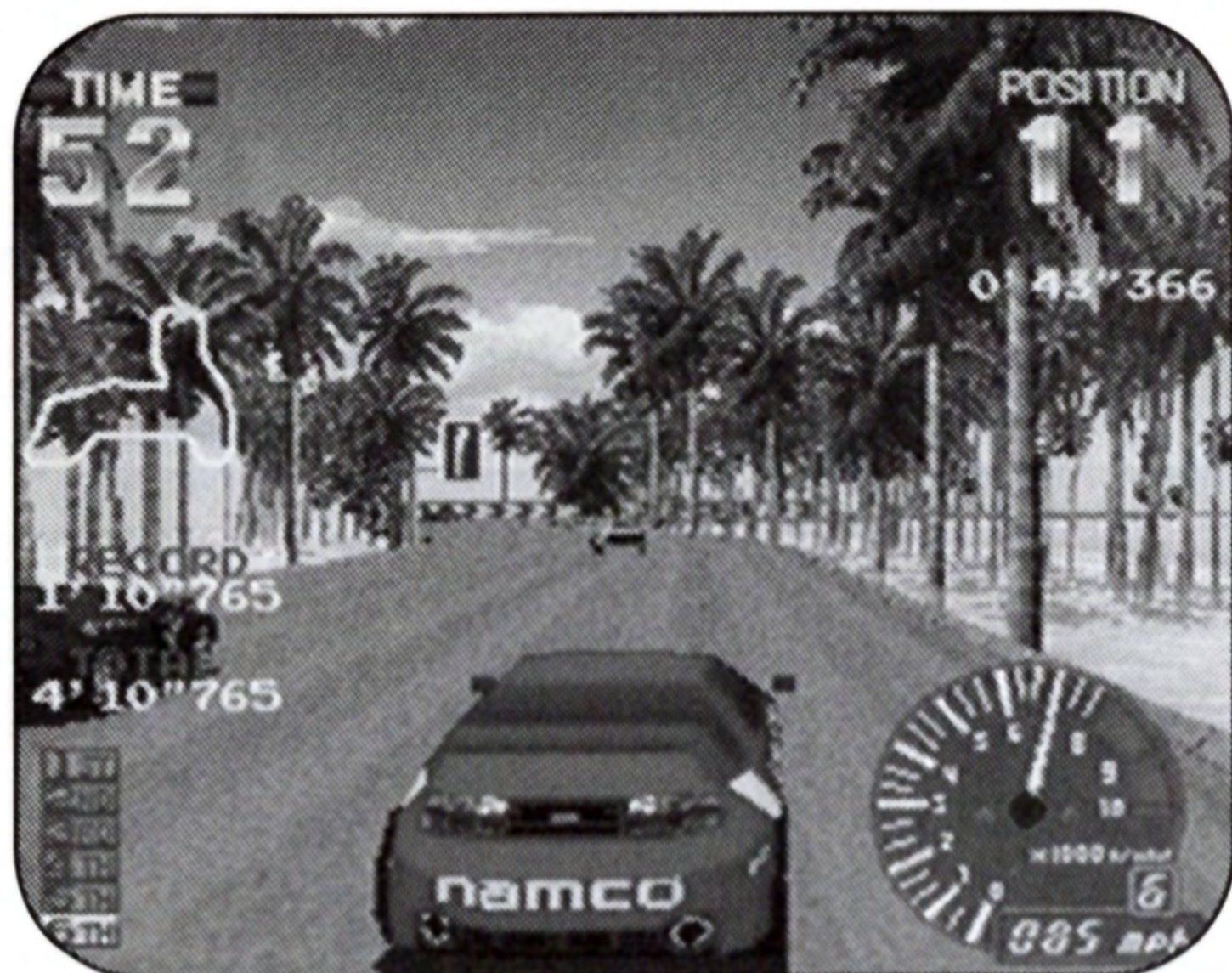


## EXPLANATION OF THE GAME SCREEN:

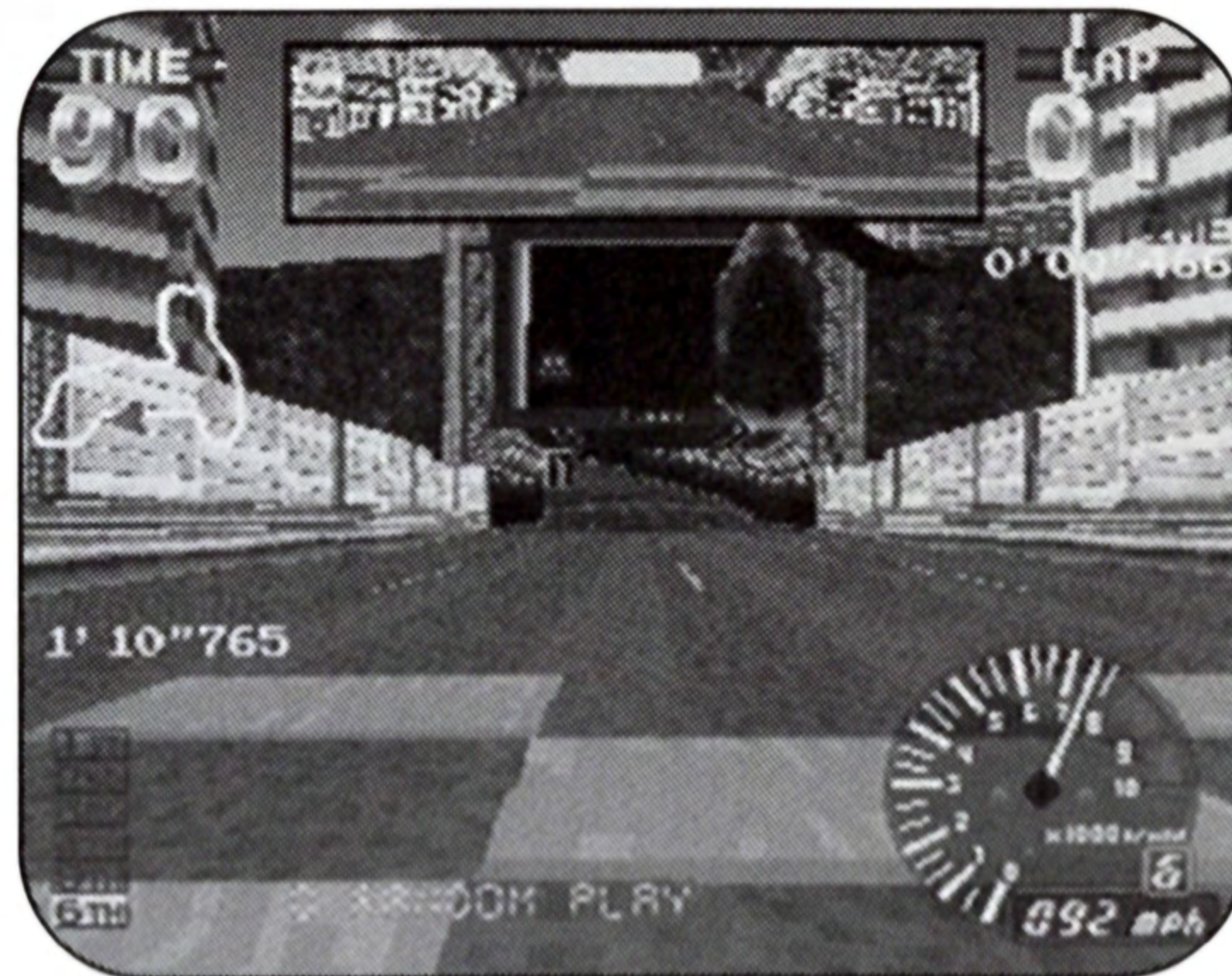


1. Time Left -- Displays the time left. When it reaches zero, the game is over. If you pass the check point within the time limit, the remaining time will be extended for the next lap.
2. Map -- Displays the track and your car's position. The red arrow indicates your car, and the yellow arrow indicates your opponent's car.
3. Best Time Record -- The fastest lap time and best total time record for this track.
4. Gear Position Display -- Indicates what gear you are in.
5. Rear View Mirror -- Displays what's behind your car.
6. Position -- Displays your current position in the race.
7. Lap Time - Indicates the lap time for each lap.
8. Tachometer -- Displays the engine revolutions. Shift up to the next gear when it reaches the red zone for maximum acceleration.
9. Speed Indicator -- Indicates your car's current speed.





Your car is displayed without a Rear View Mirror in the Behind The Car view.



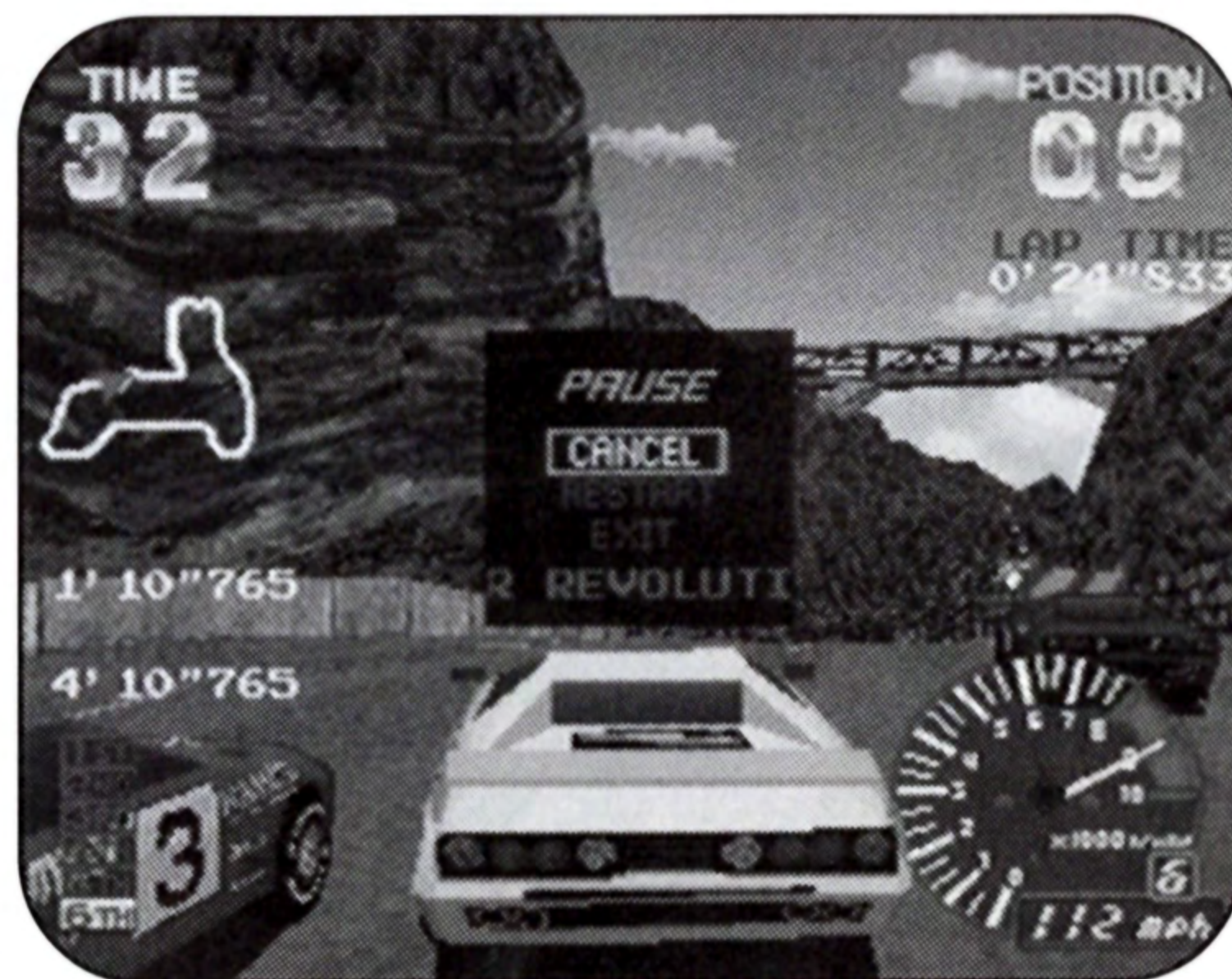
In the Free Run Mode, the Position counter is replaced with a Lap counter.

If you press the Start button during the game, CANCEL / RESTART / EXIT will be displayed. Make a selection with the Direction Key then press Start again.

**CANCEL:** Unpauses game.

**RESTART:** Restarts the race from the beginning.

**EXIT:** Returns you to the Game Mode Selection screen.



**Menu Screen When Paused**



## BASIC RULES

1. Your goal is to finish in first place on each of the three race tracks in order to access the extra three. Both the Race and Time Trial game modes consist of three lap races. Once you finish a race in first place, you are given a green wreath. This marks the track with the win on the Course Selection screen.
2. If you complete the chosen number of laps within the time limits, you will reach the goal and finish the race.
3. You must pass the check points within the time limits to gain extra race time.
4. When your remaining time runs out, the game is over.

### **Continuing the Game**

If you don't finish the race in first place or your game is over, simply select the same track, and race it again. You can continue as many times as you wish.

## GETTING STARTED/ 1P GAME

1. Insert the Ridge Racer Revolution game disc, then close the CD door. **Note:** For 1 player games, plug the controller into port # 1
2. Turn the power switch ON. After the opening screens pass, you will be able to play one GALAGA 88 challenging stage. Press the Direction Key left or right to move your fighter in that direction. Press the X button to fire a missile at the enemies. (The I button when



**Getting Started**



the neGcon is used.) Shoot down all 40 of the enemies in the challenging stage to access the eight hidden race cars. Press the Start Button to advance to Ridge Racer Revolution when prompted.

**IMPORTANT:** Always make sure your Playstation Game Console's power is off before inserting or removing the game disc.

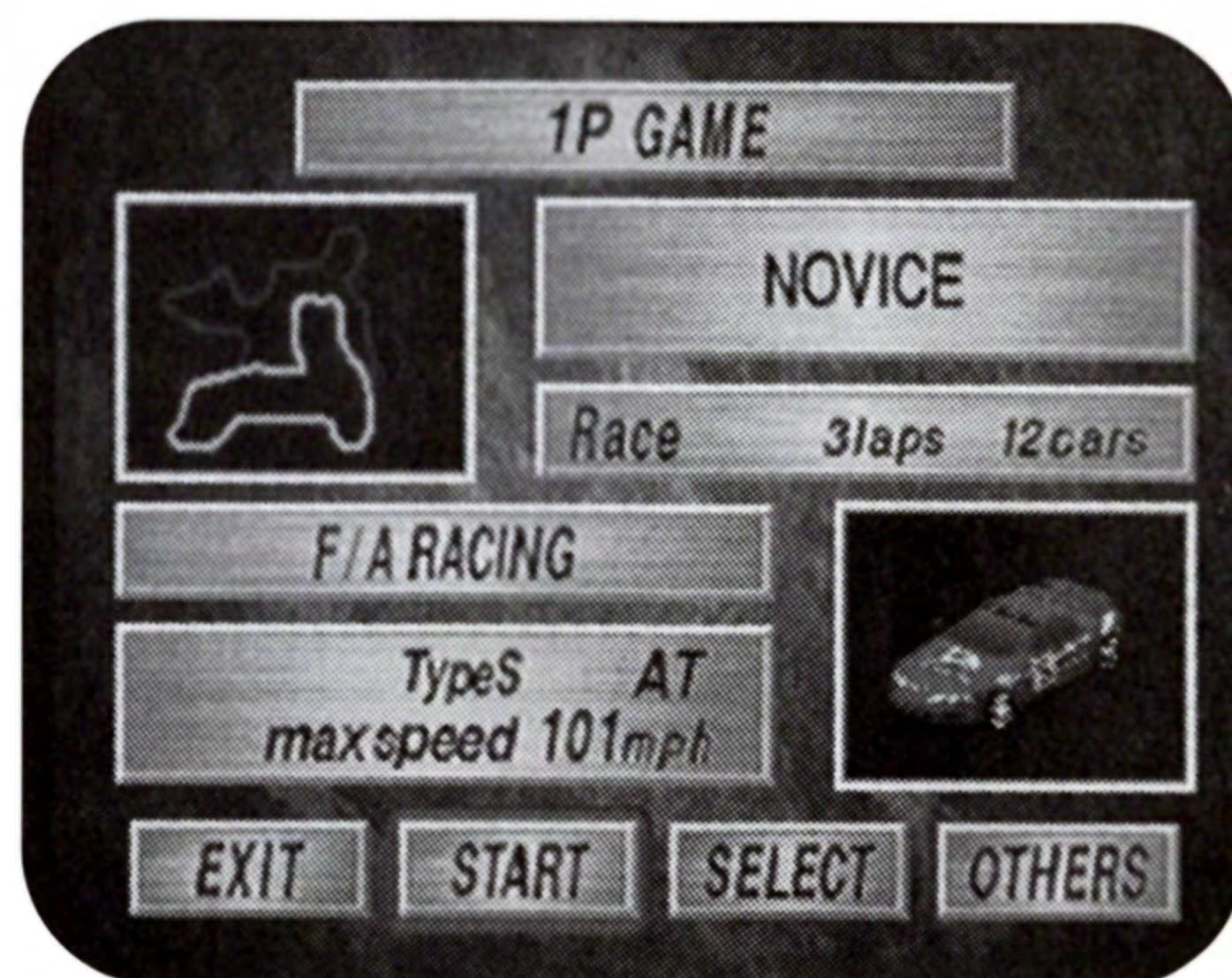
3. A race cinematic will cycle. Press the Start button to advance to the Title screen. When the Title screen with the Selection Menu appears, press the Direction Key up or down to make a selection, then press Start.
4. Select "GAME START" and press the Start button. The 1P Game Mode Selection screen will come up and you can see the current race options selected. Choose a variety of race options by moving the Direction Key to the desired icon, then press the ● or X buttons to select the options.

**EXIT** Goes back to the title screen

**START** Starts the race

**SELECT** Goes to the following race option screens: Course Select, Game Select, Car Select.

**OTHERS** See the Time Trial Records or use the Save, Load commands, or select your race music in the Background Music select screen.





## SELECT OPTIONS

Use either the ● or X buttons to select options or the △ or ■ buttons to go back to the previous screen.

### Course Select

NOVICE – Total length is short and cornering is not so tough.

INTERMEDIATE – Derived from the NOVICE track and intersects into the track going over the mountain. Total length is long and cornering is tougher.

EXPERT – Derived from the INTERMEDIATE track and the total length is the longest. This track is the most difficult.



### Game Select

RACE – A race between the player's and the computer's cars. A three-lap race consists of 12 cars.

TIME TRIAL – The player vs. one computer car with 3 laps. When you finish in first place and your total time is within the top six, you can enter your initials and save your record.

FREE RUN – A practice mode with unlimited laps, as long as the time does not reach zero.



### Car Select

**1.Car Type:** Normally there are 4 types of cars available. You can see the car abilities displayed at the bottom right. The longer the bar, the better the ability.



(Acceleration, Maximum Speed, Handling, Grip.)

**2.Engine Class:** There are 4 engine classes available. The more difficult the track, the faster the engine class. In the two player link mode, one of the players is allowed to select the engine class.

Type S For novice players, maximum speed is over 100 MPH.

Type R For player in training, maximum speed is over 120 MPH.

Type X For intermediate player, maximum speed is over 140 MPH.

Type Z For expert player, maximum speed is over 160 MPH.

### 3.Transmission:

MT Manual. You can freely change the gears yourself.

AT Automatic. The gears are changed automatically, but the maximum speed is a bit slower than MT.

### Other Options

Choose the RECORDS or BGM (Background Music) icon by moving the Direction Key and use the ● or X buttons to select the options. Use the △ or ■ buttons to go back to the previous screen.





## Records



They display the Time Trial Records and are used to save or load a game in progress. Choose the icons by moving the Direction Key and use the ● or X buttons to select. A Memory Card is needed to load or save the records. The top 6 total times and best lap time records for each track are displayed.

**EXIT :** Goes back to the previous screen.

**LOAD :** Loads data from the Memory Card.

**SAVE :** Saves data to the Memory Card. A maximum of seven save game files are possible. You can save a new file over an old file by moving the pointer next to the old file, then press Start. **Note:** Memory cards are sold separately.



## Background Music (BGM)

Allows you to choose the race music. Choose the BGM by moving the Direction Key up and down, and use the ● or X buttons to select. Selecting "00:RANDOM PLAY" will choose the BGM at random.





## GETTING STARTED / 2P LINK GAME

To play a 2P Link Game, you will need the following: two PlayStations, two TV sets, two controllers, two Ridge Racer Revolution game discs, and one "LINK CABLE", sold separately. Connect the "LINK CABLE" to the back of both PlayStations before the power switch is on.



1. Insert the Ridge Racer Revolution game discs, one in each game system, then close the CD door. **Note:** For 2 player link games, plug the controllers into port # 1 on each Playstation.
2. Turn both power switches ON at the same time. Refer to the 1P game start up instructions for GALAGA 88 controls, and other precautions.
3. When the Title screen appears on both game systems select the 2P Link Game and press the Start button on either controller. The waiting screen for the other player's entry will be displayed.
4. The player who is requested to press Start should do so before the timer reaches zero. If the entry is closed, the Game Mode Selection screen will come up for the one-player mode.



## Menu Screen

If the 2P Link Game is entered correctly, the 2P Link Game Mode Selection screen will appear and you can see the current race options selected. Choose a variety of race options by moving the Direction Key to the desired icon, then press the ● or X buttons to select the options. Only the first player that presses Start on the Title screen and enters the 2P Link Mode is allowed to select the Course, Game Mode, and Engine Class.



**EXIT:** Goes back to the Title screen

**START:** Starts the race

**SELECT:** Goes to the following race option screens: Course Select, Game Select, Car Select.

## Select

Use either the ● or X button to select options or the △ or ■ buttons to go back to the previous screen.

## Course Select

**NOVICE, INTERMEDIATE, EXPERT :** See the instructions for the 1P Game Mode for more information.

**Special 1:** Same track used for NOVICE, and INTERMEDIATE in the original Ridge Racer. Playable only in the 2P Link Game.

**Special 2:** Same track used for EXPERT, and the Time Trial mode in the original Ridge Racer. Playable only in the 2P Link Game.





## Game Select

**RACE:** A race between both players, as well as the computer's race cars. A three-lap race consists of 12 cars.

**VERSUS :** Player one vs. player two. A three lap race.

**Car Select:** Same as 1P Game mode, 4 types of cars are available.

## Handicap Set

**ON:** This allows the player that's behind to have a higher top speed than the leading player's car.

**OFF:** No Handicap.



## OPTIONS

You can choose the following 4 options in the Option Mode. Move the Direction Keys and use either the ● or X buttons to select options or use the △ or ■ buttons to go back to the previous screen.

## Key Configuration

### REGULAR CONTROLLER KEY CONFIGURATION

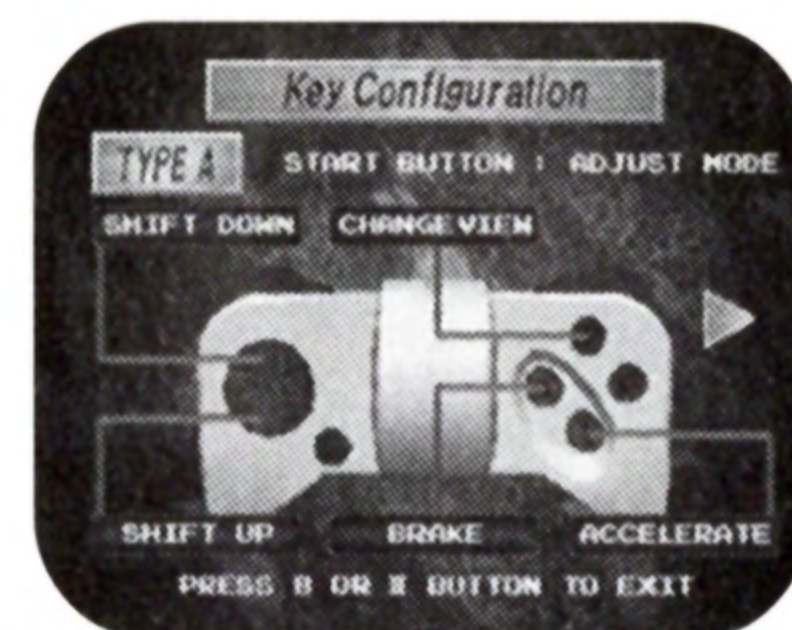
You can choose the four types of Key Configurations. Press the Direction Keys left or right and use either the ● or X buttons to make your selection.





## neGcon Key Configuration

You can choose eight types of Key Configurations. Press the Direction Keys left or right and use either the ● or X Buttons to make your selection. Also adjust the Steering Play and Maximum Twist by pressing the Start Button.



1. Hold neGcon in the untwisted position and press the Start Button.
2. Choose the Steering Play by moving the Direction Keys left or right and press the A or I buttons to select.
3. Choose the Maximum Twist by moving the Direction Keys left or right and press the A or I buttons to select.

## Volume Balance

You can change the Volume Balance of the Background Music (BGM) and the Sound Effects (S.E.). The larger the gauge, the louder the volume. Also change the sound output from stereo or monaural with the OUTPUT selection.



## Music Player

You can enjoy playing the Music. Move the cursor on the ← ← or → → and press the ● or X buttons to listen to the music. Select the □ icon to go back to the previous screen.



## Sound Test

You can enjoy playing the sounds. Move the Direction Keys left or right and use either the ● or X buttons to select.



### **CREDITS**

Published by: Namco Hometek Inc.  
Designed and Developed by: Namco Ltd.

#### **NAMCO HOMETEK TEAM**

Chris Bull  
Loan Vu  
Jeff Yonan  
Yuri Saito  
Dave Winstead

#### **MANUAL DESIGN**

Darien & Kilburg

#### **SPECIAL THANKS**

Craig Erickson

### **Hint Line**

Hints are available within the U.S. only.  
\$0.95 per minute pre-recorded information  
\$1.15 per minute live representative  
assistance

**1-900-737-2262**

Automated support available 24 hours a day, 7 days a week. Representatives available Monday – Friday, 9 am – 6pm Pacific Coast Time. This hint line supports all PlayStation titles produced by Namco Hometek Inc. Long-distance charges are included in the above rates. Callers under 18 years of age, please obtain permission from a parent or guardian before calling. You must have a touch-tone phone to use this service.

For questions and information regarding the Hint Line, write to:

Namco Hometek Inc.  
150 Charcot Avenue, Suite A  
San Jose, CA 95131-1102

**Namco Online:** <http://www.namco.com>  
visit our Website to get information about our new titles.

## **LIMITED WARRANTY**

Namco Hometek Inc. warrants to the original purchaser that this Namco Hometek Inc. game pak shall be free from defects in material and workmanship for a period of ninety (90) days from the date of purchase. If a defect covered by this limited warranty occurs during this 90-day limited warranty period, Namco Hometek Inc. will repair or replace the defective game pak or component part, at its option, free of charge.

This limited warranty does not apply if the defects have been caused by negligence, accident, unreasonable use, modification, tampering, or any other cause not related to defective material or workmanship.

### **LIMITATIONS ON WARRANTY**

Any applicable implied warranties of merchantability and fitness for a particular purpose, are hereby limited to ninety (90) days from the date of purchase and are subject to the conditions set forth herein. In no event shall Namco Hometek Inc. be liable for consequential or incidental damages resulting from the possession or use of this product.

The provisions of the limited warranty are valid in the United States only. Some states do not allow limitations on how long an implied warranty lasts, or exclusion of consequential or incidental damages, so the above limitation or exclusion may not apply to you. This limited warranty provides you with specific legal rights. You may have other rights which vary from state to state.



# RIDGE RACER REVOLUTION™



NAMCO HOMETEK INC. 150 Charcot Ave., Suite A, San Jose, CA 95131  
Ridge Racer Revolution™ & © 1993 1994 1995 Namco Ltd. All rights reserved.  
Manufactured pursuant to license with Namco-America, Inc.

Licensed by Sony Computer Entertainment America for use with the PlayStation game console. PlayStation and the PlayStation Logos are trademarks of Sony Computer Entertainment Inc. The ratings icon is a trademark of the Interactive Digital Software Association. Manufactured and printed in the U.S.A. THIS SOFTWARE IS COMPATIBLE WITH PLAYSTATION GAME CONSOLES WITH THE NTSC U/C DESIGNATION. U.S. AND FOREIGN PATENTS PENDING.

**namco®**